

Installation & Operations Manual for Pursuit Side View Mirror

Contents:



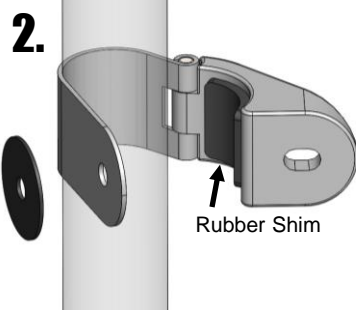
Left Mirror and Clamp Assembly

Right Mirror and Clamp Assembly

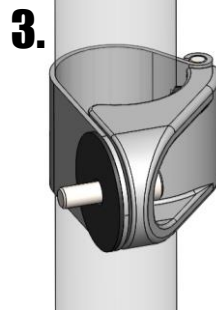
Installation:



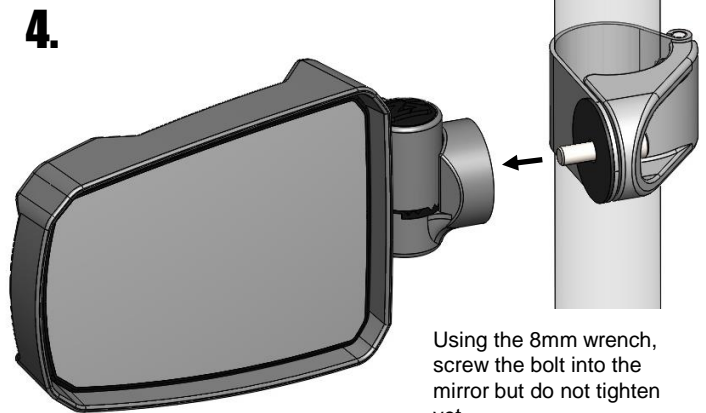
1. Temporarily remove this socket head bolt using a 8mm Allen Wrench



2. Open clamp and place around roll cage tube. Make sure the rubber shim is in place in the thick half of the clamp.



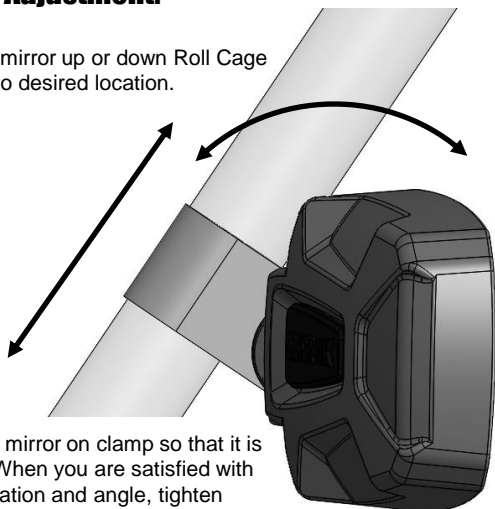
3. Close clamp around roll cage tube, put the bolt through the hole, and place large rubber washer over the end of the bolt.



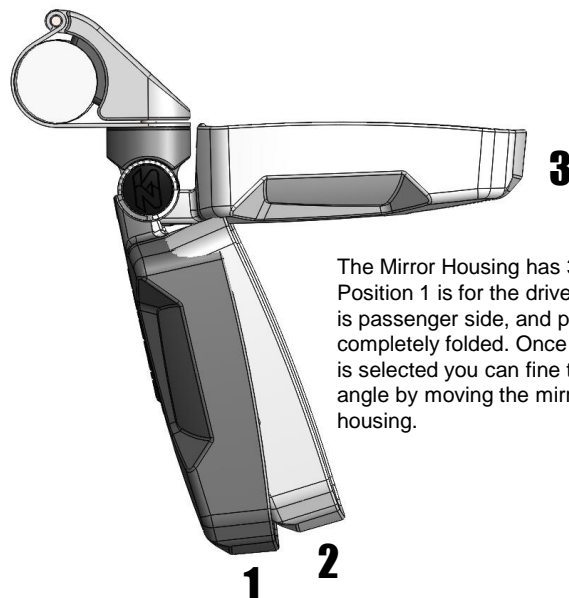
4. Using the 8mm wrench, screw the bolt into the mirror but do not tighten yet.

Initial Adjustment:

Slide mirror up or down Roll Cage tube to desired location.



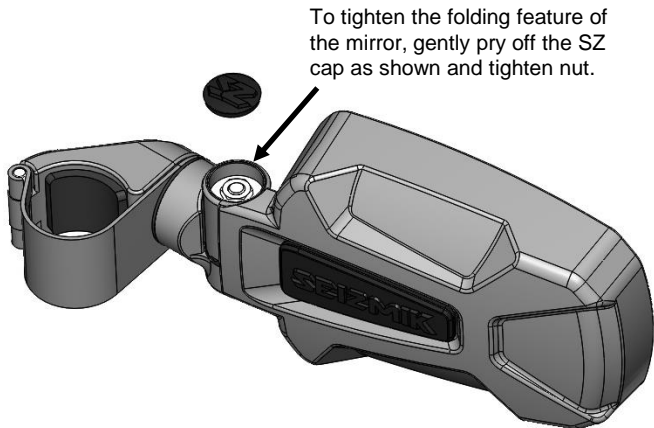
Rotate mirror on clamp so that it is level. When you are satisfied with the location and angle, tighten bolt.



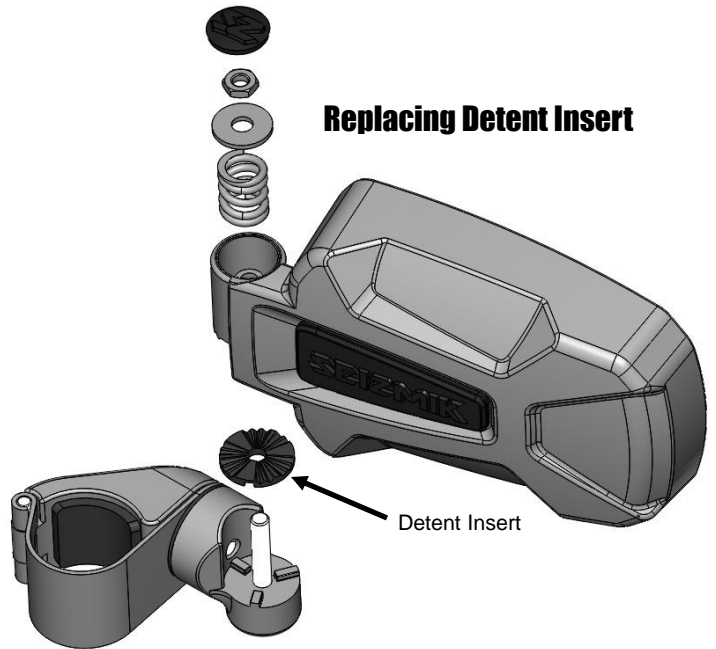
3. The Mirror Housing has 3 detent positions. Position 1 is for the drivers side, position 2 is passenger side, and position 3 is completely folded. Once the detent position is selected you can fine tune the viewing angle by moving the mirror glass within the housing.

Repair and Maintenance

Tightening Mirror Housing Folding Feature



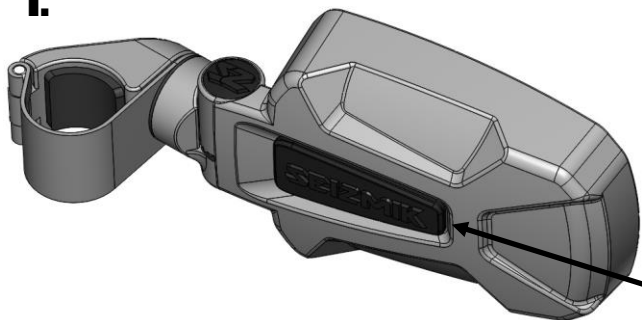
Replacing Detent Insert



If for any reason the Mirror Detent Insert ever becomes worn enough that the mirror will not hold position well, please contact us for free replacements. It can be replaced by first removing the nut shown in the previous step. Next, remove the Mirror Housing, Spring, and Washer. The Detent Insert can now be gently pried off and replaced. The detent is designed so it can only go on one way.

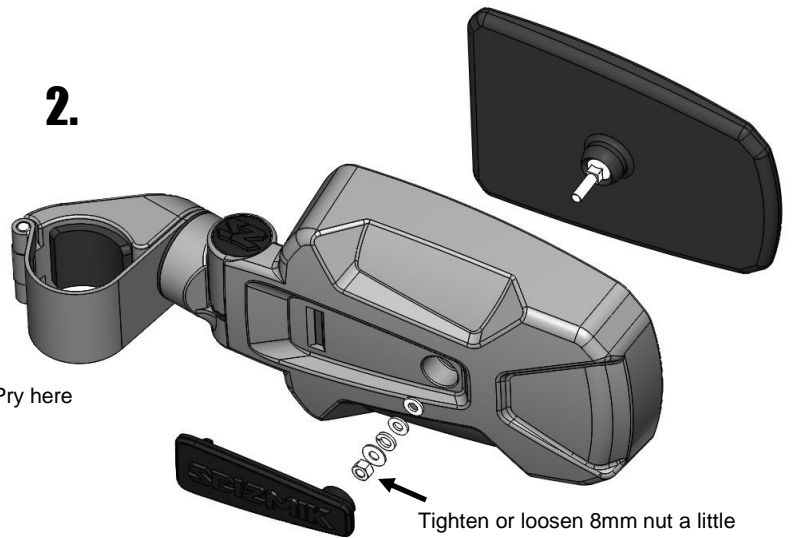
Replacing or Adjusting Mirror Glass

1.



To replace or adjust Mirror Glass pivot, gently pry off SEIZMIK cap from the location shown.

2.



Seizmik makes Windshields, Doors, Tops, Hood Racks, and other great accessories for utility vehicles & side x sides. Our products are engineered tough for long life and tested under the harshest of conditions.

Seizmik products are designed, developed and manufactured by Vialink Corp. If you have any questions, comments, need assistance, or are missing parts, please call 1-866-838-3366 between 9:00AM and 5:00PM EST. You can email us at support@seizmik.com.